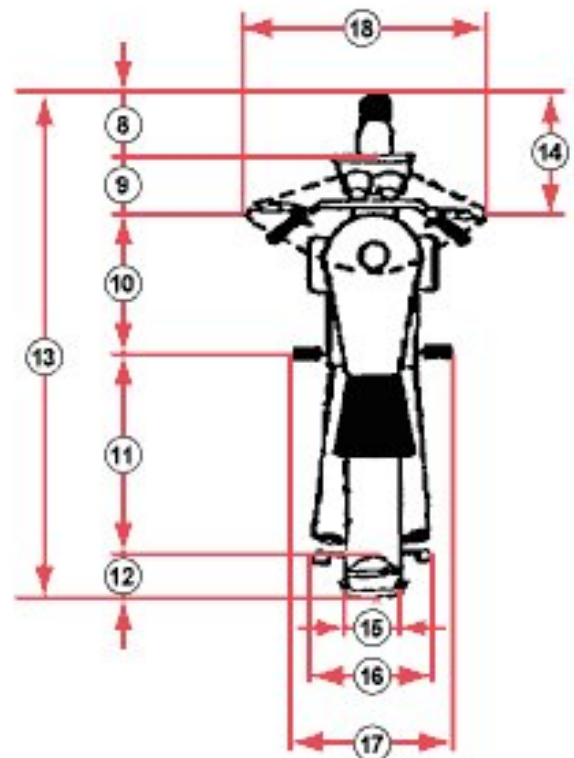
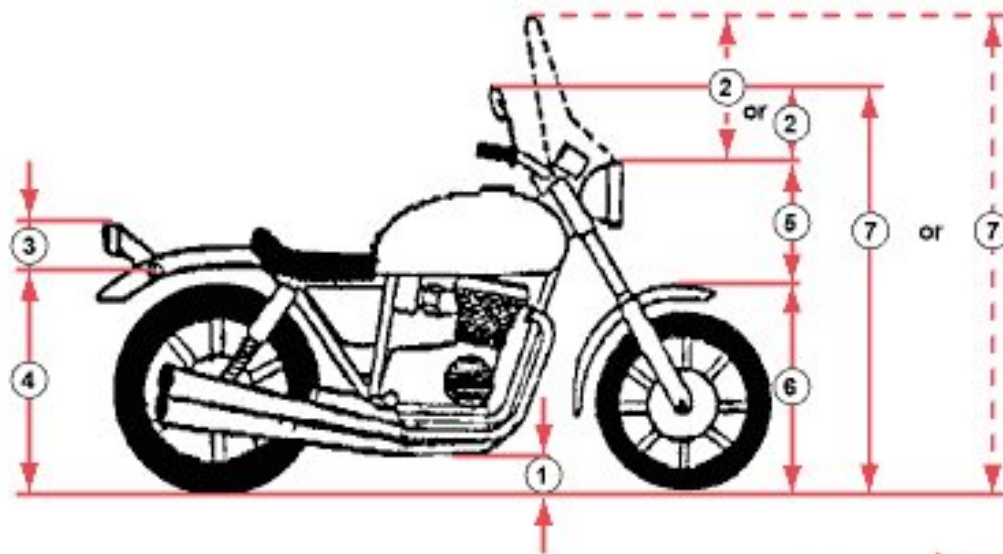


# Motorcycle Dimension Chart



Make \_\_\_\_\_

Model \_\_\_\_\_

Year \_\_\_\_\_

- \_\_\_\_\_ 1. Ground to lowest part of cycle
- \_\_\_\_\_ 2. Top of headlight to highest point of cycle
- \_\_\_\_\_ 3. Highest point at rear to widest point at rear
- \_\_\_\_\_ 4. Ground to widest point at rear of cycle
- \_\_\_\_\_ 5. Top of front fender to top of headlight
- \_\_\_\_\_ 6. Ground to top of front fender
- \_\_\_\_\_ 7. Ground to highest point of cycle
- \_\_\_\_\_ 8. Front wheel to headlight
- \_\_\_\_\_ 9. Headlight to highest point of cycle
- \_\_\_\_\_ 10. Highest point on cycle to front footrest
- \_\_\_\_\_ 11. Front footrest to widest point at rear
- \_\_\_\_\_ 12. Widest point at rear to back of cycle
- \_\_\_\_\_ 13. Overall length

- \_\_\_\_\_ 14. Front of front tire to widest point
- \_\_\_\_\_ 15. Width at end of cycle
- \_\_\_\_\_ 16. Width at widest point at rear
- \_\_\_\_\_ 17. Width at front footrest
- \_\_\_\_\_ 18. Width at widest point of cycle