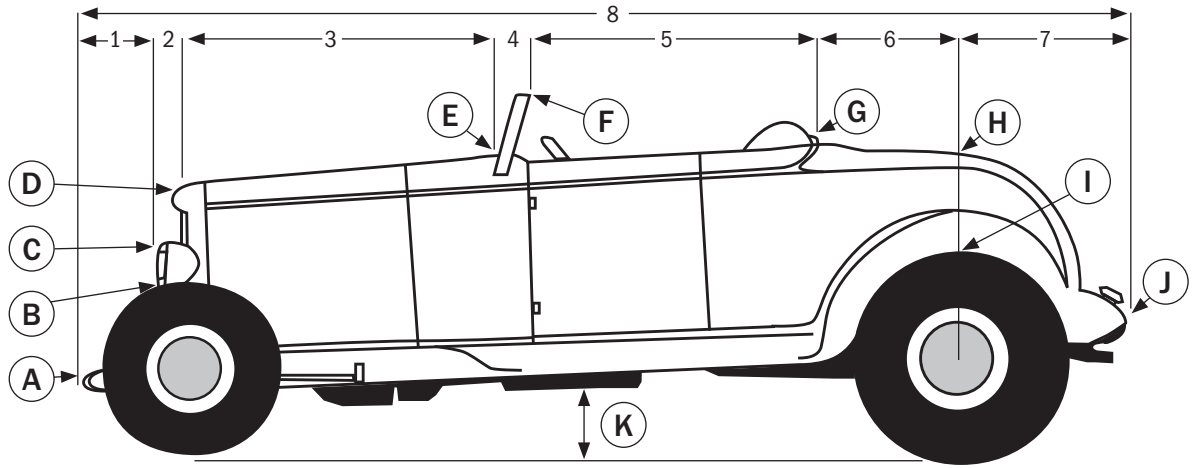


# DIMENSION CHART

## STREET ROD ROADSTER WITHOUT FENDERS



### Lengths - Measured Horizontally

- #1 Front of car to front of headlight \_\_\_\_\_
- #2 Front of headlight to front of hood \_\_\_\_\_
- #3 Front of hood to base of windshield \_\_\_\_\_
- #4 Base of windshield to top of windshield \_\_\_\_\_
- #5 Top of windshield to front of trunk \_\_\_\_\_
- #6 Front of truck to center of rear axle \_\_\_\_\_
- #7 Center of rear axle to rear of car \_\_\_\_\_
- #8 Overall length of car, front to rear \_\_\_\_\_

If you have measured correctly, the sum of #1 through #7 should equal #8.

### Heights - Measured from Ground

- HA Height at front of car \_\_\_\_\_
- HB Height at top of front tire \_\_\_\_\_
- HC Height at top of headlights \_\_\_\_\_
- HD Height at front of hood \_\_\_\_\_
- HE Height at base of windshield \_\_\_\_\_
- HF Height at top of windshield \_\_\_\_\_
- HG Height at front of trunk \_\_\_\_\_
- HH Height of trunk at center rear axle \_\_\_\_\_
- HI Height of rear tire \_\_\_\_\_
- HJ Height at rear of car \_\_\_\_\_
- HK Road clearance \_\_\_\_\_

### Widths, Measured Side to Side at Points Shown

- WA Width of car at front \_\_\_\_\_
- WB Width of car at front tires \_\_\_\_\_
- WC Width of car across headlights \_\_\_\_\_
- WD Width of car at front hood \_\_\_\_\_
- WE Width of car at base of windshield \_\_\_\_\_
- WF Width of windshield at top \_\_\_\_\_
- WG Width of trunk at front \_\_\_\_\_
- WH Width of trunk at point "H" \_\_\_\_\_
- WI Width of car at rear tires \_\_\_\_\_
- WJ Width of car at rear \_\_\_\_\_

### Vehicle Information

YEAR \_\_\_\_\_  
 MAKE \_\_\_\_\_  
 MODEL \_\_\_\_\_  
 Name \_\_\_\_\_  
 Date of Order \_\_\_\_\_

A photo of the vehicle will help us make the pattern.  
 The photo will be returned if requested.

Daytime phone \_\_\_\_\_  
 Email \_\_\_\_\_



Auto Chic, a division of MPT Industries  
 PO Box 6181 • West Caldwell, NJ 07007  
 Phone: 800-351-0605 • E-mail: sales@autochic.com  
 www.autochic.com