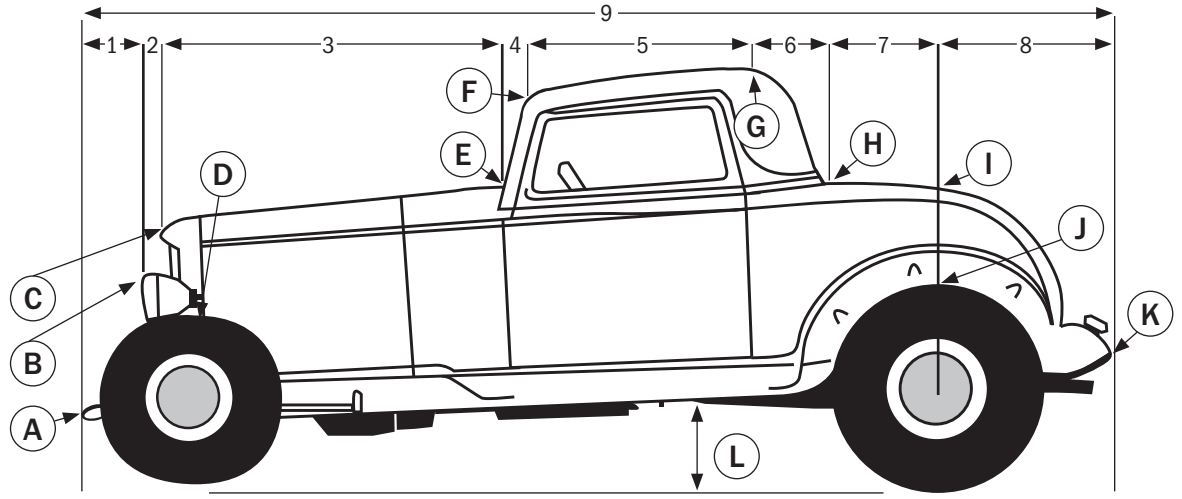


# DIMENSION CHART

## STREET ROD COUPE WITHOUT FENDERS



### Lengths - Measured Horizontally

- #1 Front of car to front of headlight \_\_\_\_\_
- #2 Front of headlight to front of hood \_\_\_\_\_
- #3 Front of hood to base of windshield \_\_\_\_\_
- #4 Base of windshield to front of roof \_\_\_\_\_
- #5 Front of roof to rear of roof \_\_\_\_\_
- #6 Rear of roof to base of rear window \_\_\_\_\_
- #7 Base of window to center of rear axle \_\_\_\_\_
- #8 Center of rear axle to rear of car \_\_\_\_\_
- #9 Overall length of car, front to rear \_\_\_\_\_

If you have measured correctly, the sum of #1 through #8 should equal #9.

### Heights - Measured from Ground

- HA Height at front of car \_\_\_\_\_
- HB Height at top of headlight \_\_\_\_\_
- HC Height at front of hood \_\_\_\_\_
- HD Height at front of front tire \_\_\_\_\_
- HE Height at base of windshield \_\_\_\_\_
- HF Height at front of roof \_\_\_\_\_
- HG Height at rear of roof \_\_\_\_\_
- HH Height at base of rear window \_\_\_\_\_
- HI Height of trunk at point "I" \_\_\_\_\_
- HJ Height at top of rear tire \_\_\_\_\_
- HK Height at rear of car \_\_\_\_\_
- HL Road clearance \_\_\_\_\_

### Widths, Measured Side to Side at Points Shown

- WA Width of car at front \_\_\_\_\_
- WB Width of car at top of headlights \_\_\_\_\_
- WC Width of car at front of hood \_\_\_\_\_
- WD Width of car at front tires \_\_\_\_\_
- WE Width of hood at windshield \_\_\_\_\_
- WF Width of roof at front \_\_\_\_\_
- WG Width of roof at rear \_\_\_\_\_
- WH Width at base of rear window \_\_\_\_\_
- WI Width of car across trunk at "I" \_\_\_\_\_
- WJ Width of car at rear tires \_\_\_\_\_
- WK Width of car at rear \_\_\_\_\_

### Vehicle Information

YEAR \_\_\_\_\_  
 MAKE \_\_\_\_\_  
 MODEL \_\_\_\_\_  
 Name \_\_\_\_\_  
 Date of Order \_\_\_\_\_

A photo of the vehicle will help us make the pattern.  
 The photo will be returned if requested.

Daytime phone \_\_\_\_\_  
 Email \_\_\_\_\_



Auto Chic, a division of MPT Industries  
 PO Box 6181 • West Caldwell, NJ 07007  
 Phone: 800-351-0605 • E-mail: sales@autochic.com  
 www.autochic.com