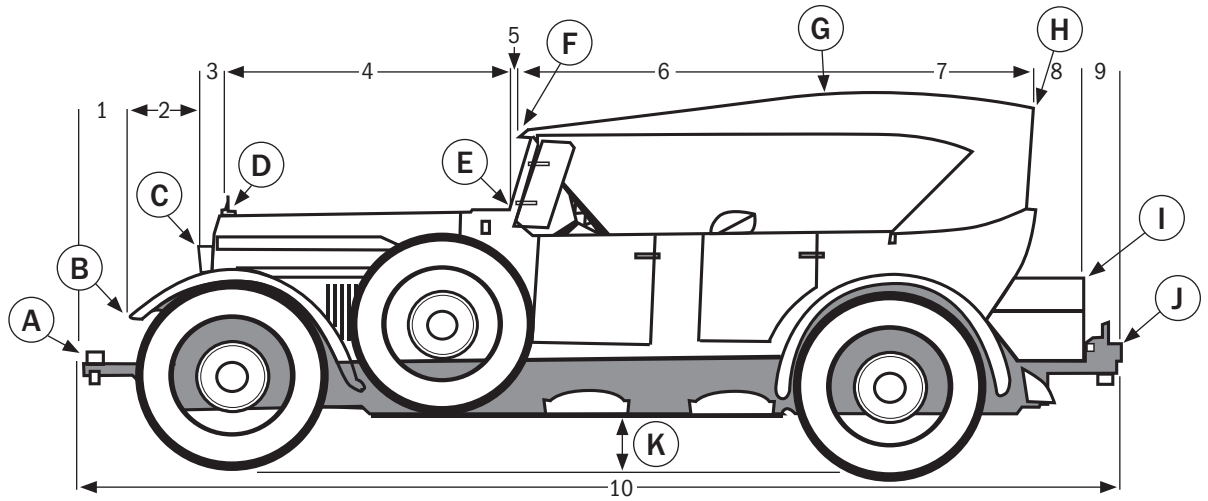


DIMENSION CHART

PHAETON WITH TRUNK



Lengths - Measured Horizontally	Heights - Measured from Ground
---------------------------------	--------------------------------

#1 Front bumper to forward tip of fender _____	_____	HA Height at "A" _____	_____
#2 Forward tip of fender to front of headlights _____	_____	HB Height at "B" _____	_____
#3 Front of headlights to front of cowl _____	_____	HC Height at "C" _____	_____
#4 Front of cowl to base of windshield _____	_____	HD Height at "D" _____	_____
#5 Base of windshield to front of roof _____	_____	HE Height at "E" _____	_____
#6 Front of roof to highpoint of roof _____	_____	HF Height at "F" _____	_____
#7 Highpoint of roof to rear of roof _____	_____	HG Height at "G" _____	_____
#8 Rear of roof to rear of trunk _____	_____	HH Height at "H" _____	_____
#9 Rear of trunk to rear of car _____	_____	HI Height at "I" _____	_____
#10 Overall length of car _____	_____	HJ Height at "J" _____	_____
If you have measured correctly, Total _____	_____	HK Road Clearance _____	_____

If you have measured correctly, the total of #1 through #9 should equal #10.

Widths, Measured Side to Side at Points Shown

WA Width of front bumper at "A" _____	_____	WG Width across roof at "G" _____	_____
WB Width of front of car at "B" _____	_____	WH Width at rear of roof _____	_____
WC Width of headlights at "C" _____	_____	WI Width of trunk _____	_____
WD Width across hood at "D" _____	_____	WJ Width at rear bumper _____	_____
WE Width at base of windshield _____	_____	WK Width at tip of rear fender _____	_____
WF Width at front of roof _____	_____	WL Width at rear of car _____	_____

Vehicle Information

YEAR _____	A photo of the vehicle will help us make the pattern.
MAKE _____	The photo will be returned if requested.
MODEL _____	Name _____
BODY STYLE _____	Daytime phone _____
Date of Order _____	Email _____