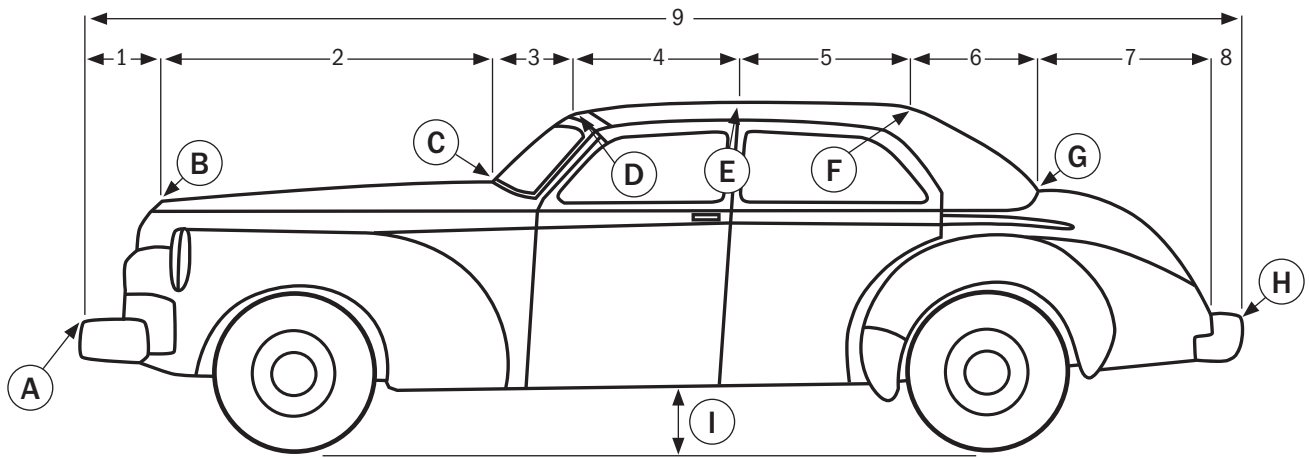


# DIMENSION CHART - FIFTIES SERIES SEDAN



Lengths - Measured Horizontally	Heights - Measured from Ground
---------------------------------	--------------------------------

#1 Corner of front bumper to front of hood	_____	HA Height at front of bumper	_____
#2 Front of hood to base of windshield	_____	HB Height at front of hood	_____
#3 Base of windshield to front of roof	_____	HC Height at base of windshield	_____
#4 Front of roof to highpoint of roof	_____	HD Height at front of roof	_____
#5 Highpoint of roof to rear of roof	_____	HE Height at highpoint of roof	_____
#6 Rear of roof to base of rear window	_____	HF Height at rear of roof	_____
#7 Base of rear window to end of trunk	_____	HG Height at base of rear window	_____
#8 End of trunk to corner of rear bumper	_____	HH Height at rear bumper	_____
#9 Overall length of car at corner of bumpers	_____	HI Road clearance	_____
Total	_____		

If you have measured correctly, the total of #1 through #8 should be the same as #9.

Widths, Measured Side to Side at Points Shown
---

WA Width of front bumper at point "A"	_____	WE Width of roof at point "E"	_____
WB Width of hood at point "B"	_____	WF Width of roof at point "F"	_____
WC Width of hood at point "C"	_____	WG Width of trunk at point "G"	_____
WD Width of roof at point "D"	_____	WH Width of rear bumper at "H"	_____

Draw in any accessories, noting the measurements and location (example - sun visor, rear wing, etc.)

Vehicle Information
---------------------

YEAR _____	A photo of the vehicle will help us make the pattern.
MAKE _____	The photo will be returned if requested.
MODEL _____	Name _____
BODY STYLE _____	Daytime phone _____
Date of Order _____	Email _____