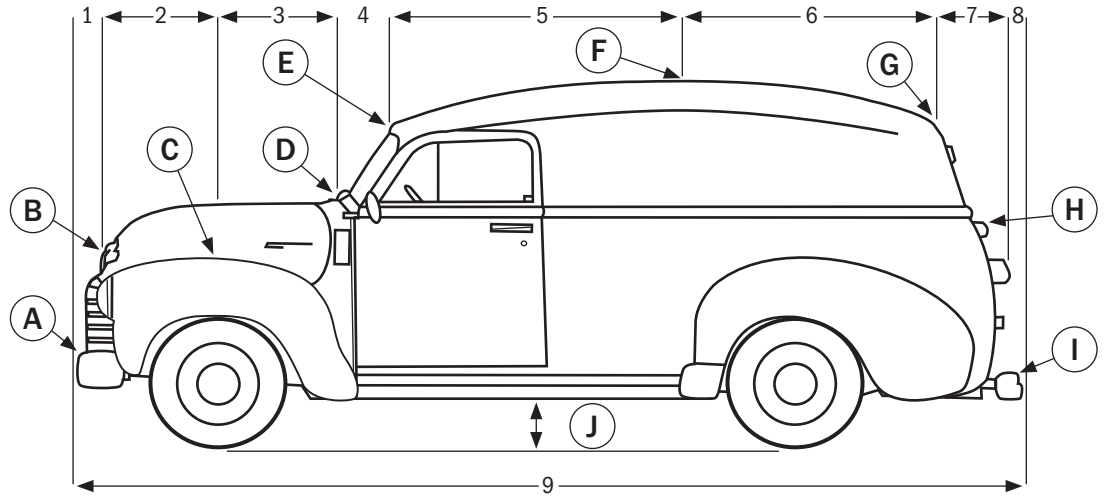


# DIMENSION CHART

## EARLY MODEL PANEL TRUCK



### Lengths - Measured Horizontally

- #1 Front bumper to front of hood \_\_\_\_\_
- #2 Front of hood to fender highpoint \_\_\_\_\_
- #3 Fender highpoint to base of windshield \_\_\_\_\_
- #4 Base of windshield to front of roof \_\_\_\_\_
- #5 Front of roof to highpoint of roof \_\_\_\_\_
- #6 Highpoint of roof to rear of roof \_\_\_\_\_
- #7 Rear of roof to end of body \_\_\_\_\_
- #8 End of body to end of rear bumper \_\_\_\_\_
- #9 Overall length \_\_\_\_\_

If you have measured correctly, the sum of #1 through #8 should equal #9.

### Heights - Measured from Ground

- HA Height at top of front bumper \_\_\_\_\_
- HB Height at front of hood \_\_\_\_\_
- HC Height at highpoint of fender \_\_\_\_\_
- HD Height at base of windshield \_\_\_\_\_
- HE Height at front of roof \_\_\_\_\_
- HF Height at highpoint of roof \_\_\_\_\_
- HG Height at rear of roof \_\_\_\_\_
- HH Height at rear body (point "H") \_\_\_\_\_
- HI Height at top of rear bumper \_\_\_\_\_
- HJ Road clearance \_\_\_\_\_

### Widths, Measured Side to Side at Points Shown

- WA Width at front bumper \_\_\_\_\_
- WB Width at front of hood \_\_\_\_\_
- WC Width at highpoint of fender \_\_\_\_\_
- WD Width at base of windshield \_\_\_\_\_
- WE Width at front of roof \_\_\_\_\_
- WF Width at highpoint of roof \_\_\_\_\_
- WG Width at rear of roof \_\_\_\_\_
- WH Width at rear body (point "H") \_\_\_\_\_
- WI Width at rear bumper \_\_\_\_\_

### Vehicle Information

YEAR \_\_\_\_\_  
 MAKE \_\_\_\_\_  
 MODEL \_\_\_\_\_  
 BODY STYLE \_\_\_\_\_  
 Date of Order \_\_\_\_\_

A photo of the vehicle will help us make the pattern.  
 The photo will be returned if requested.

Name \_\_\_\_\_  
 Daytime phone \_\_\_\_\_  
 Email \_\_\_\_\_



Auto Chic, a division of MPT Industries  
 PO Box 6181 • West Caldwell, NJ 07007  
 Phone: 800-351-0605 • E-mail: sales@autochic.com  
 www.autochic.com