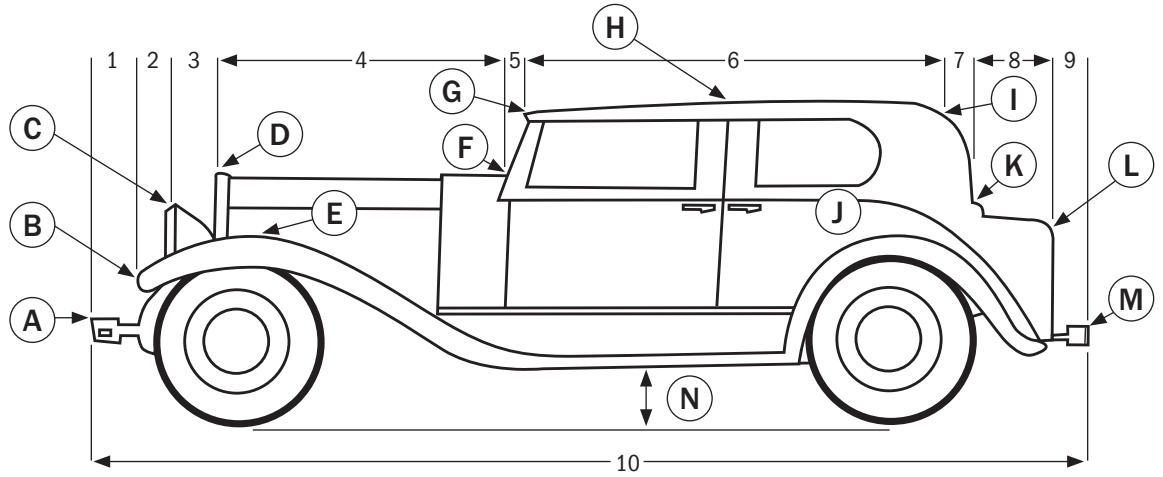


# DIMENSION CHART

## EARLY 30'S SEDAN



Lengths - Measured Horizontally	Heights - Measured from Ground
---------------------------------	--------------------------------

#1 Front bumper to tip of fender	_____	HA Height at "A"	_____
#2 Tip of fender to headlights	_____	HB Height at "B"	_____
#3 Front of headlights to front of hood	_____	HC Height at "C"	_____
#4 Front of hood to base of windshield	_____	HD Height at "D"	_____
#5 Base of windshield to front of roof	_____	HE Height at "E"	_____
#6 Front of roof to rear of roof	_____	HF Height at "F"	_____
#7 Rear of roof to front of trunk	_____	HG Height at "G"	_____
#8 Front of trunk to rear of trunk	_____	HH Height at "H"	_____
#9 Rear of trunk to rear of bumper	_____	HI Height at "I"	_____
If measured correctly, #1 through #9 should equal #10.	Total _____	HJ Height at "J"	_____
#10 Overall length of car, front to rear	_____	HK Height at "K"	_____
		HL Height at "L"	_____
		HM Height at "M"	_____
		HN Road Clearance	_____

Widths, Measured Side to Side at Points Shown
---

WA Width of front bumper at point "A"	_____	WG Width at front of roof "G"	_____
WB Width across fenders at "B"	_____	WH Width at highpoint of roof "H"	_____
WC Width across headlights at "C"	_____	WI Width at rear of roof "I"	_____
WD Width across hood at "D"	_____	WJ Width at rear fenders "J"	_____
WE Width at highpoint of fenders at "E"	_____	WK Width at front of trunk "K"	_____
WF Width across hood at base of windshield	_____	WL Width at rear of trunk "L"	_____
		WM Width at rear bumper "M"	_____

Vehicle Information
---------------------

YEAR _____	A photo of the vehicle will help us make the pattern. The photo will be returned if requested.
MAKE _____	
MODEL _____	Name _____
BODY STYLE _____	Daytime phone _____
Date of Order _____	Email _____