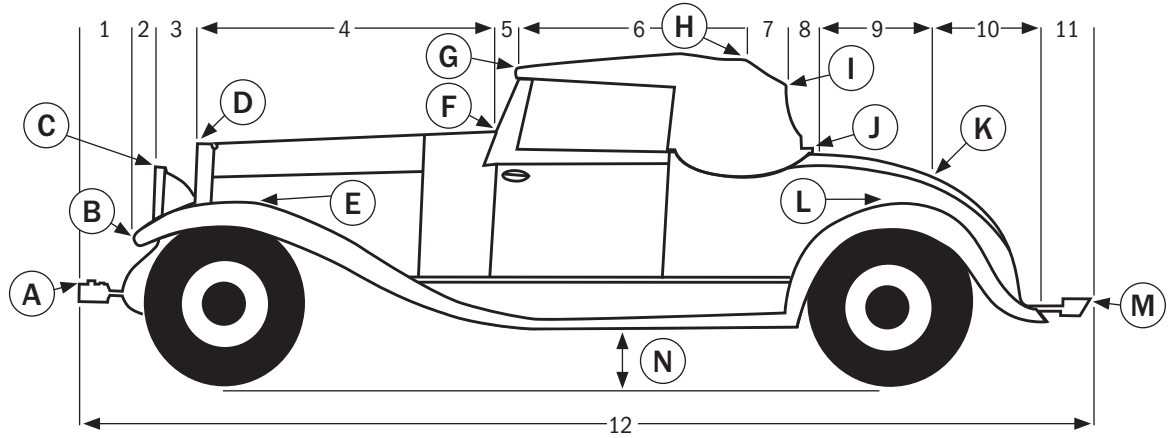


DIMENSION CHART

EARLY 30'S ROADSTER



Lengths - Measured Horizontally	Heights - Measured from Ground
---------------------------------	--------------------------------

#1 Front bumper to forward tip of fender _____	HA Height at "A" _____
#2 Forward tip of fender to front of headlights _____	HB Height at "B" _____
#3 Front of headlights to front of hood _____	HC Height at "C" _____
#4 Front of hood to base of windshield _____	HD Height at "D" _____
#5 Base of windshield to front of roof _____	HE Height at "E" _____
#6 Front of roof to highpoint of roof _____	HF Height at "F" _____
#7 Highpoint of roof to rear of roof _____	HG Height at "G" _____
#8 Rear of roof to base of rear window _____	HH Height at "H" _____
#9 Base of rear window to midpoint of trunk _____	HI Height at "I" _____
#10 Midpoint of trunk to rear of fender _____	HJ Height at "J" _____
#11 Rear tip of fender to rear tip of bumper _____	HK Height at "K" _____
If measured correctly, #1 through #11 should equal #12.	HL Height at "L" _____
Total _____	HM Height at "M" _____
#12 Overall length of car, front to rear _____	HN Road Clearance _____

Widths, Measured Side to Side at Points Shown	
---	--

WA Width of front bumper at point "A" _____	WG Width at front of roof _____
WB Width of front of car at point "B" _____	WH Width at highpoint of roof _____
WC Width of headlights at point "C" _____	WI Width at rear of roof _____
WD Width of front of hood at point "D" _____	WJ Width at base of rear window _____
WE Width at highpoint of front fenders _____	WK Width at midpoint of trunk _____
WF Width at base of windshield _____	WL Width at rear fenders _____
	WM Width at rear bumpers _____

Vehicle Information	
---------------------	--

YEAR _____	A photo of the vehicle will help us make the pattern. The photo will be returned if requested.
MAKE _____	
MODEL _____	Name _____
BODY STYLE _____	Daytime phone _____
Date of Order _____	Email _____