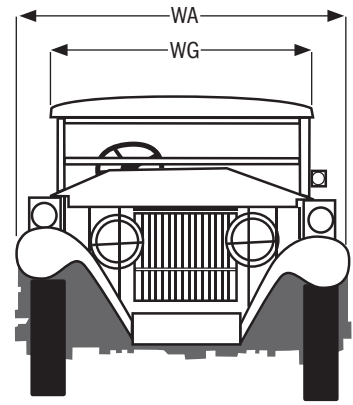
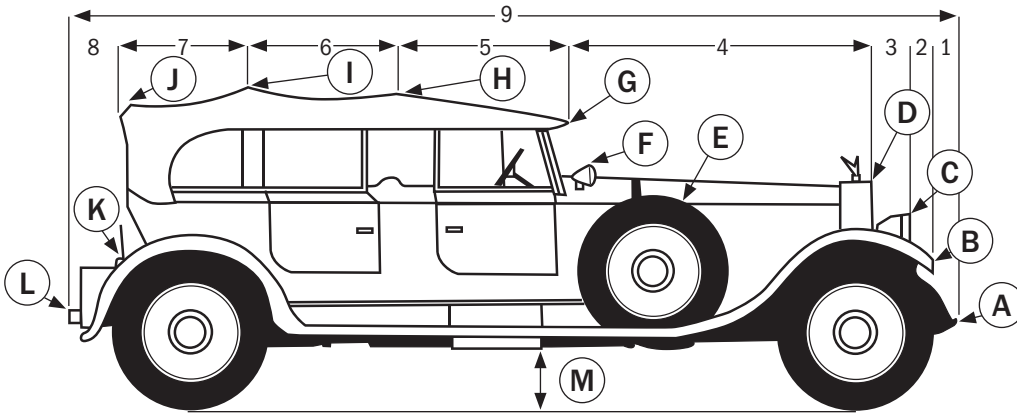


DIMENSION CHART - PHAETON WITHOUT TRUNK



Lengths - Measured Horizontally

- #1 Front of car to forward tip of fender _____
 - #2 Front tip of fender to front of headlights _____
 - #3 Front of headlights to front of cowl _____
 - #4 Front of cowl to front of roof _____
 - #5 Front of roof to point "H" of roof _____
 - #6 Point "H" of roof to point "I" of roof _____
 - #7 Point "I" of roof to rear of car _____
 - #8 Rear of roof to rear of car _____
 - #9 Overall length of car _____
- If you have measured correctly, Total _____
 the total of #1 through #8
 should equal #9.

Heights - Measured from Ground

- HA Height at "A" _____
- HB Height at "B" _____
- HC Height at "C" _____
- HD Height at "D" _____
- HE Height at "E" _____
- HF Height at "F" _____
- HG Height at "G" _____
- HH Height at "H" _____
- HI Height at "I" _____
- HJ Height at "J" _____
- HK Height at "K" _____
- HL Height at "L" _____
- HM Road Clearance _____

Widths, Measured Side to Side at Points Shown

- | | |
|--|-------------------------------------|
| WA Width of car at "A" _____ | WG Width at front of roof _____ |
| WB Width of front of car at "B" _____ | WH Width of roof at point "H" _____ |
| WC Width of headlights at "C" _____ | WI Width of roof at point "I" _____ |
| WD Width across hood at "D" _____ | WJ Width at rear of roof _____ |
| WE Width across sidemounts, if installed _____ | WK Width across rear fenders _____ |
| WF Width at base of windshield _____ | WL Width of car at rear _____ |

Vehicle Information

YEAR _____
 MAKE _____
 MODEL _____
 BODY STYLE _____
 Date of Order _____

A photo of the vehicle will help us make the pattern.
 The photo will be returned if requested.

Name _____
 Daytime phone _____
 Email _____



Auto Chic, a division of MPT Industries
 PO Box 6181 • West Caldwell, NJ 07007
 Phone: 800-351-0605 • E-mail: sales@autochic.com
 www.autochic.com