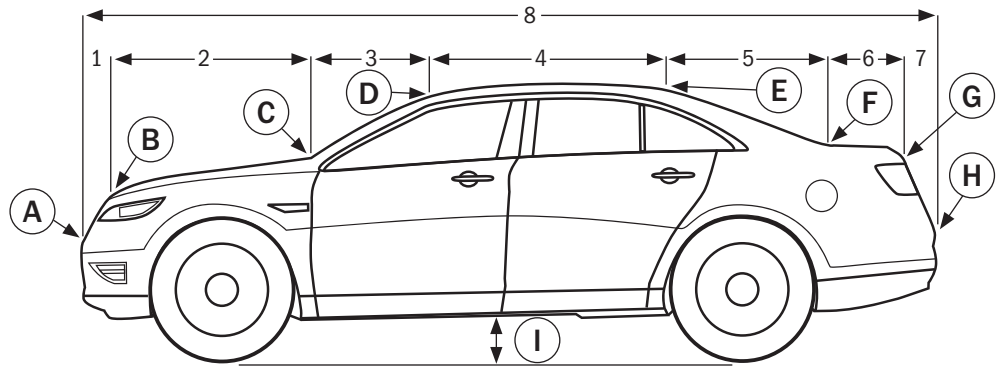
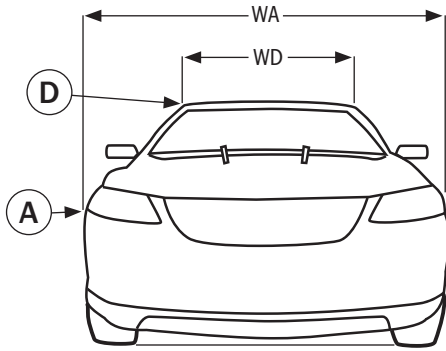


DIMENSION CHART - MODERN SEDAN or COUPE



Lengths - Measured Horizontally

- #1 Corner of front bumper to front of hood _____
- #2 Front of hood to base of windshield _____
- #3 Base of windshield to front of roof _____
- #4 Front of roof to rear of roof _____
- #5 Rear of roof to base of rear window _____
- #6 Base of rear window to rear of trunk _____
- #7 Rear of trunk to corner of bumper _____
- Total _____
- #8 Overall length of car at corner of bumpers _____

Heights - Measured from Ground

- HA Height at "A" _____
- HB Height at "B" _____
- HC Height at "C" _____
- HD Height at "D" _____
- HE Height at "E" _____
- HF Height at "F" _____
- HG Height at "G" _____
- HH Height at "H" _____
- HI Height at "I" _____

If you have measured correctly, the total of #1 through #7 should be the same as #8.

Widths, Measured Side to Side at Points Shown

- | | |
|---|--------------------------------------|
| WA Width of front bumper at point "A" _____ | WE Width of roof at point "E" _____ |
| WB Width of hood at point "B" _____ | WF Width of trunk at point "F" _____ |
| WC Width of hood at point "C" _____ | WG Width of trunk at point "G" _____ |
| WD Width of roof at point "D" _____ | WH Width of rear bumper at "H" _____ |

Draw in any accessories, noting the measurements and location (example - sun visor, rear wing, etc.)

Vehicle Information

- YEAR _____
- MAKE _____
- MODEL _____
- BODY STYLE _____
- Date of Order _____

- A photo of the vehicle will help us make the pattern.
The photo will be returned if requested.
- Name _____
- Daytime phone _____
- Email _____



Auto Chic, a division of MPT Industries
PO Box 6181 • West Caldwell, NJ 07007
Phone: 800-351-0605 • E-mail: sales@autochic.com
www.autochic.com