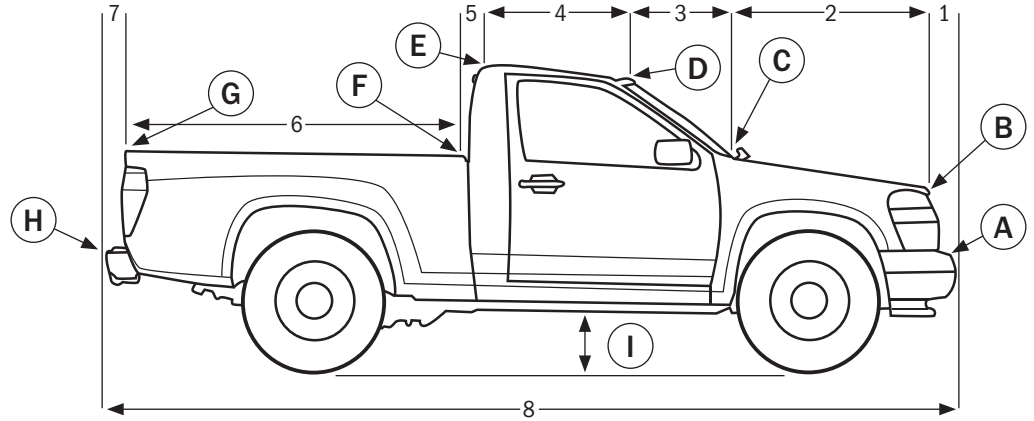
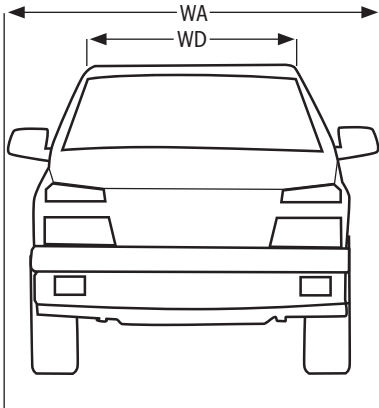


DIMENSION CHART - PICKUP TRUCK



Lengths - Measured Horizontally	Heights - Measured from Ground
---------------------------------	--------------------------------

#1 Corner of front bumper to front of hood	_____	HA Height at "A"	_____
#2 Front of hood to base of windshield	_____	HB Height at "B"	_____
#3 Base of windshield to front of roof	_____	HC Height at "C"	_____
#4 Front of roof to rear of roof	_____	HD Height at "D"	_____
#5 Rear of roof to front of bed	_____	HE Height at "E"	_____
#6 Front of bed to rear of bed	_____	HF Height at "F"	_____
#7 Rear of bed to rear of bumper	_____	HG Height at "G"	_____
Total	_____	HH Height at "H"	_____
#8 Overall length of pickup at corner of bumpers	_____	HI Height at "I"	_____

If you have measured correctly, the total of #1 through #7 should be the same as #8.

Widths, Measured Side to Side at Points Shown

WA Width of front bumper at point "A"	_____	WE Width of roof at point "E"	_____
WB Width of front of hood at point "B"	_____	WF Width of bed at front, point "F"	_____
WC Width of hood at windshield base, point "C"	_____	WG Width of bed at rear, point "G"	_____
WD Width of roof at point "D"	_____	WH Width of rear bumper at "H"	_____

Draw in any accessories, noting the measurements and location (example - sun visor, light bar, tool box, etc.)

Vehicle Information

YEAR _____

MAKE _____

MODEL _____

Short bed Long bed Extra or extended cab

Date of Order _____

A photo of the vehicle will help us make the pattern.
The photo will be returned if requested.

Name _____

Daytime phone _____

Email _____