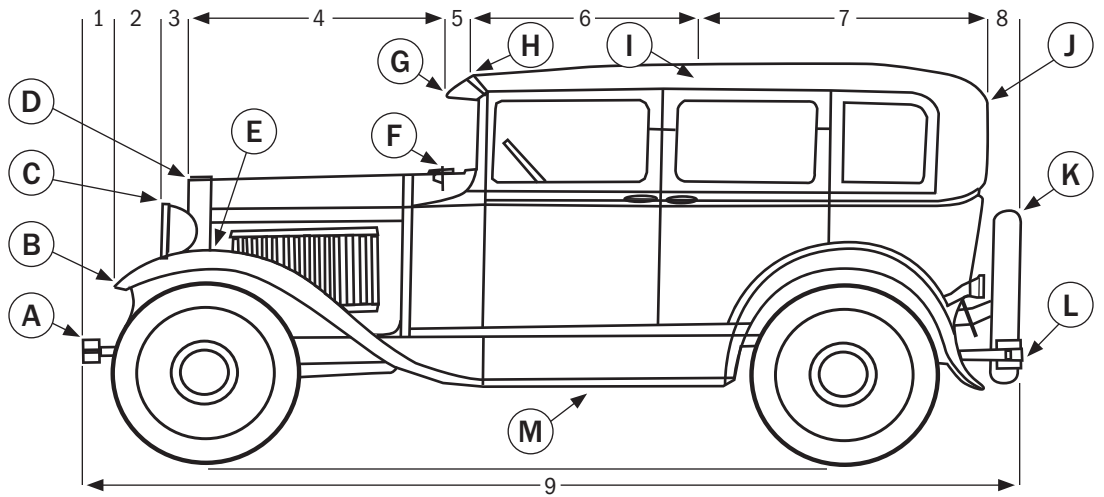


DIMENSION CHART

LATE 20'S 4-DOOR SEDAN



Lengths - Measured Horizontally	Heights - Measured from Ground
---------------------------------	--------------------------------

#1 Front of car to tip of fender	_____	HA	Height at "A"	_____
#2 Tip of fender to front of headlights	_____	HB	Height at "B"	_____
#3 Front of headlights to front of hood	_____	HC	Height at "C"	_____
#4 Front of hood to front edge of visor	_____	HD	Height at "D"	_____
#5 Visor to front edge of roof	_____	HE	Height at "E"	_____
#6 Front of roof to highpoint of roof	_____	HF	Height at "F"	_____
#7 Highpoint of roof to rear of roof	_____	HG	Height at "G"	_____
#8 Rear of roof to rear of bumper	_____	HH	Height at "H"	_____
(If measured correctly, #1 through #8 should equal #9)	Total _____	HI	Height at "I"	_____
#9 Overall length of car, front to rear	_____	HJ	Height at "J"	_____
		HK	Height at "K"	_____
		HL	Height at "L"	_____
		HM	Road clearance	_____

Widths, Measured Side to Side at Points Shown

WA Width across front of car at "A"	_____	WG	Width across front of visor	_____
WB Width across fenders at "B"	_____	WH	Width across front of roof	_____
WC Width across headlights at "C"	_____	WI	Width across roof at "I"	_____
WD Width across hood at "D"	_____	WJ	Width across rear of roof	_____
WE Width, side to side at "E"	_____	WK	Width across car at "K"	_____
WF Width at base of windshield	_____	WL	Width at rear bumper	_____

Vehicle Information

YEAR _____	A photo of the vehicle will help us make the pattern. The photo will be returned if requested.
MAKE _____	Name _____
MODEL _____	Daytime phone _____
BODY STYLE _____	Email _____
Date of Order _____	