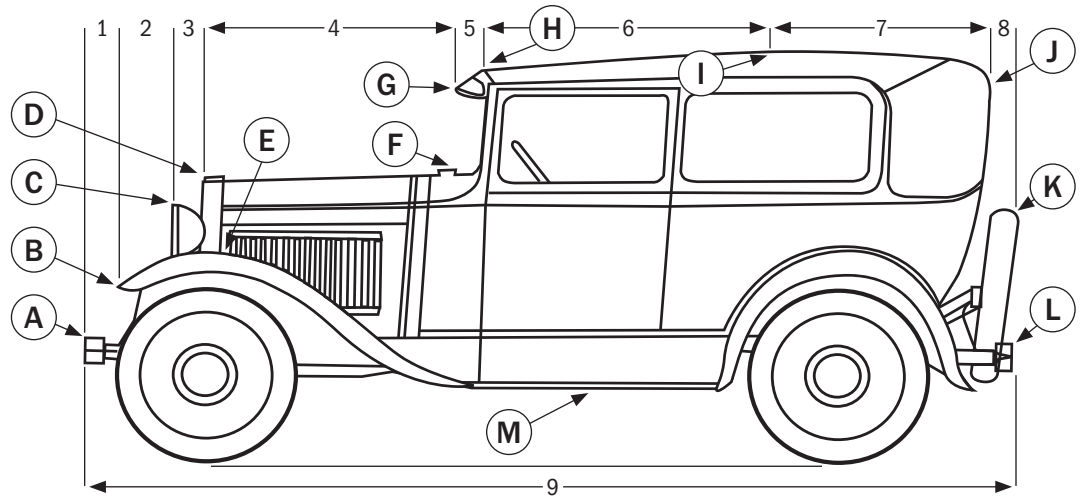


DIMENSION CHART

LATE 20'S 2-DOOR SEDAN



Lengths - Measured Horizontally

#1	Front of car to tip of fender	_____
#2	Tip of fender to front of headlights	_____
#3	Front of headlights to front of hood	_____
#4	Front of hood to front edge of visor	_____
#5	Visor to front edge of roof	_____
#6	Front of roof to high point of roof	_____
#7	Highpoint of roof to rear of roof	_____
#8	Rear of roof to rear of bumper	_____
(If measured correctly, #1 through #8 should equal #9)		Total _____
#9	Overall length of car, front to rear	_____

Heights - Measured from Ground

HA	Height at "A"	_____
HB	Height at "B"	_____
HC	Height at "C"	_____
HD	Height at "D"	_____
HE	Height at "E"	_____
HF	Height at "F"	_____
HG	Height at "G"	_____
HH	Height at "H"	_____
HI	Height at "I"	_____
HJ	Height at "J"	_____
HK	Height at "K"	_____
HL	Height at "L"	_____
HM	Road Clearance	_____

Widths, Measured Side to Side at Points Shown

WA	Width across front of car at "A"	_____	WG	Width across front of visor	_____
WB	Width across fenders at "B"	_____	WH	Width across front of roof	_____
WC	Width across headlights at "C"	_____	WI	Width across roof at "I"	_____
WD	Width across hood at "D"	_____	WJ	Width across rear of roof	_____
WE	Width, side to side at "E"	_____	WK	Width across car at "K"	_____
WF	Width at base of windshield	_____	WL	Width at rear bumper	_____

Vehicle Information

YEAR _____

MAKE _____

MODEL _____

BODY STYLE _____

Date of Order _____

A photo of the vehicle will help us make the pattern.
The photo will be returned if requested.

Name _____

Daytime phone _____

Email _____



Auto Chic, a division of MPT Industries
PO Box 6181 • West Caldwell, NJ 07007
Phone: 800-351-0605 • E-mail: sales@autochic.com
www.autochic.com