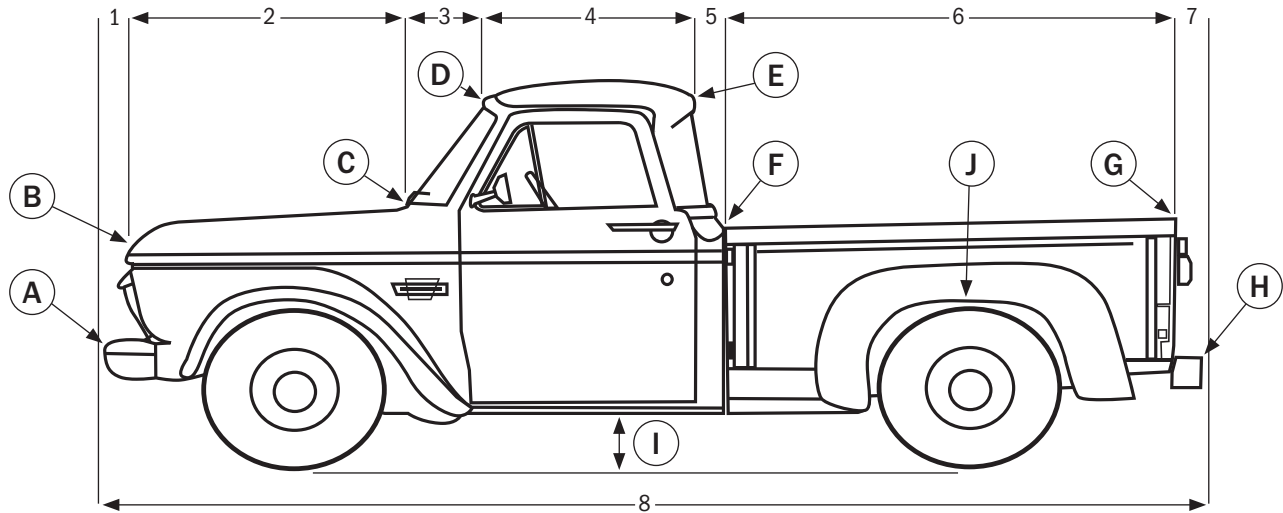


DIMENSION CHART - EARLY MODEL PICKUP TRUCK



Lengths - Measured Horizontally

- #1 Front bumper to front of hood _____
- #2 Front of hood to base of windshield _____
- #3 Base of windshield to front of roof _____
- #4 Front of roof to rear of roof _____
- #5 Rear of roof to front of bed _____
- #6 Front of bed to rear of bed _____
- #7 Rear of bed to rear bumper _____
- #8 Overall length (bumper to bumper) _____

If you have measured correctly, the sum of #1 through #7 should equal #8.

Heights - Measured from Ground

- HA Height at top of front bumper _____
- HB Height at front of hood _____
- HC Height at base of windshield _____
- HD Height at front of roof _____
- HE Height at rear of roof _____
- HF Height at front of bed _____
- HG Height at rear of bed _____
- HH Height at top of rear bumper _____
- HI Road clearance _____
- HJ Height at top of rear fender _____

Widths, Measured Side to Side at Points Shown

- | | |
|--------------------------------------|--------------------------------|
| WA Width at front bumper _____ | WF Width at front of bed _____ |
| WB Width at front of hood _____ | WG Width at rear of bed _____ |
| WC Width at base of windshield _____ | WH Width at rear bumper _____ |
| WD Width at front of roof _____ | WJ Width at rear fenders _____ |
| WE Width at rear of roof _____ | |

Vehicle Information

YEAR _____

MAKE _____

MODEL _____

BODY STYLE _____

Date of Order _____

A photo of the vehicle will help us make the pattern.
The photo will be returned if requested.

Name _____

Daytime phone _____

Email _____



Auto Chic, a division of MPT Industries
PO Box 6181 • West Caldwell, NJ 07007
Phone: 800-351-0605 • E-mail: sales@autochic.com
www.autochic.com