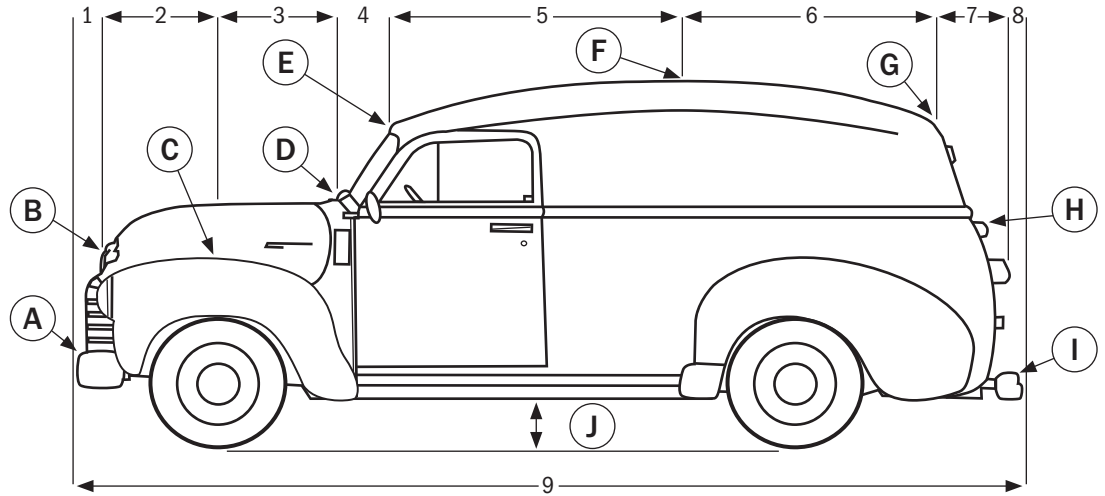


DIMENSION CHART

EARLY MODEL PANEL TRUCK



Lengths - Measured Horizontally

- #1 Front bumper to front of hood _____
- #2 Front of hood to fender highpoint _____
- #3 Fender highpoint to base of windshield _____
- #4 Base of windshield to front of roof _____
- #5 Front of roof to highpoint of roof _____
- #6 Highpoint of roof to rear of roof _____
- #7 Rear of roof to end of body _____
- #8 End of body to end of rear bumper _____
- #9 Overall length _____

If you have measured correctly, the sum of #1 through #8 should equal #9.

Heights - Measured from Ground

- HA Height at top of front bumper _____
- HB Height at front of hood _____
- HC Height at highpoint of fender _____
- HD Height at base of windshield _____
- HE Height at front of roof _____
- HF Height at highpoint of roof _____
- HG Height at rear of roof _____
- HH Height at rear body (point "H") _____
- HI Height at top of rear bumper _____
- HJ Road clearance _____

Widths, Measured Side to Side at Points Shown

- WA Width at front bumper _____
- WB Width at front of hood _____
- WC Width at highpoint of fender _____
- WD Width at base of windshield _____
- WE Width at front of roof _____
- WF Width at highpoint of roof _____
- WG Width at rear of roof _____
- WH Width at rear body (point "H") _____
- WI Width at rear bumper _____

Vehicle Information

YEAR _____

MAKE _____

MODEL _____

BODY STYLE _____

Date of Order _____

A photo of the vehicle will help us make the pattern.
The photo will be returned if requested.

Name _____

Daytime phone _____

Email _____