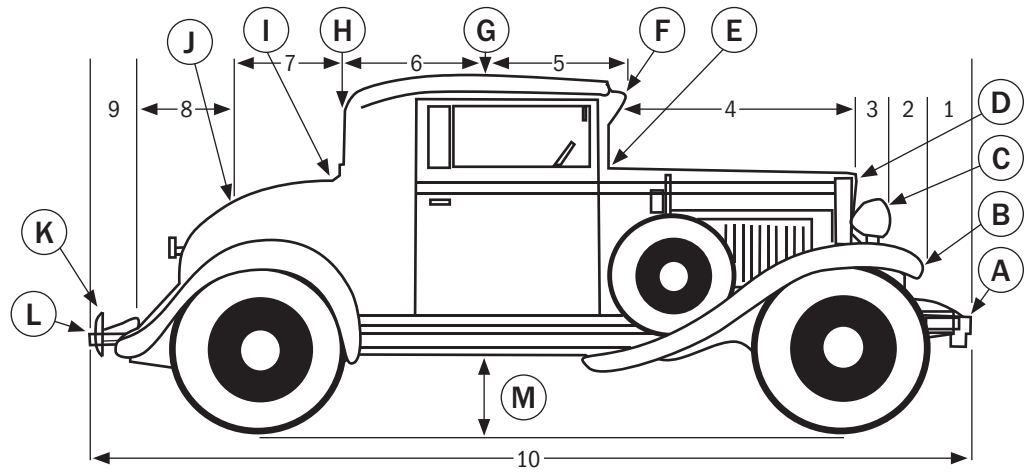


DIMENSION CHART

EARLY 30'S COUPE



Lengths - Measured Horizontally

Heights - Measured from Ground

#1	Front bumper to forward tip of fender	_____	HA	Height at "A"	_____
#2	Forward tip of fender to front of headlights	_____	HB	Height at "B"	_____
#3	Front of headlights to front of cowl	_____	HC	Height at "C"	_____
#4	Front of cowl to base of windshield	_____	HD	Height at "D"	_____
#5	Front of roof to point "G" on roof	_____	HE	Height at "E"	_____
#6	Point "G" on roof to rear of roof	_____	HF	Height at "F"	_____
#7	Front of trunk to center of trunk	_____	HG	Height at "G"	_____
#8	Center of trunk to rear tip of fender	_____	HH	Height at "H"	_____
#9	Rear tip of fender to rear tip of car	_____	HI	Height at "I"	_____
If measured correctly, #1 through #9 should equal #10.			HJ	Height at "J"	_____
	Total	_____	HK	Height at "K"	_____
#10	Overall length of car, front to rear	_____	HL	Height at "L"	_____
			HM	Road Clearance	_____

Widths, Measured Side to Side at Points Shown

WA	Width of front bumper at point "A"	_____	WG	Width of roof at point "G"	_____
WB	Width of front of car at point "B"	_____	WH	Width at rear of roof	_____
WC	Width of headlights at point "C"	_____	WI	Width at front of trunk	_____
WD	Width of front of hood at point "D"	_____	WJ	Width at center of trunk	_____
WE	Width at base of windshield	_____	WK	Width at tip of rear fender	_____
WF	Width at front of roof	_____	WL	Width at rear of car	_____

Vehicle Information

YEAR _____
 MAKE _____
 MODEL _____
 BODY STYLE _____
 Date of Order _____

A photo of the vehicle will help us make the pattern.
 The photo will be returned if requested.

Name _____
 Daytime phone _____
 Email _____