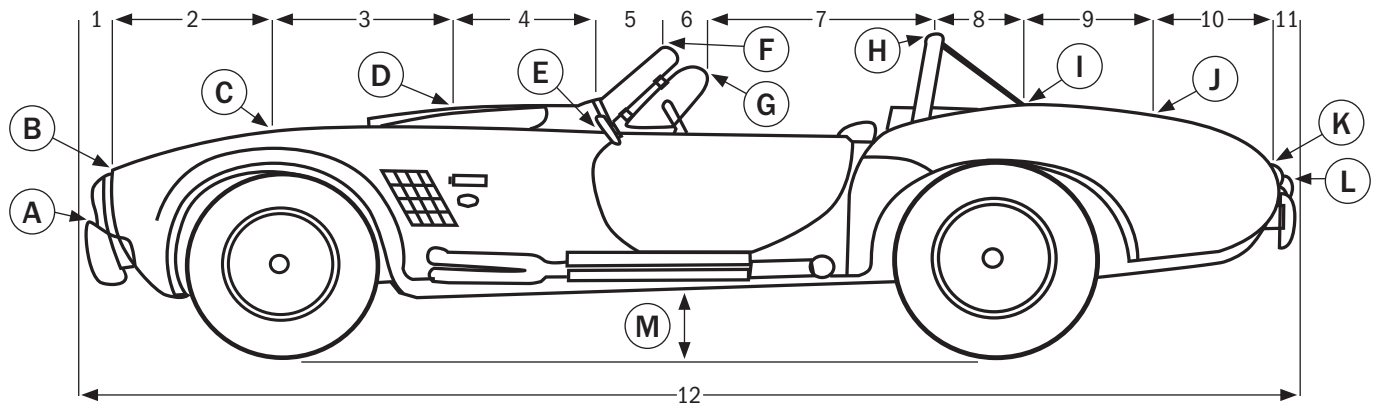


# DIMENSION CHART - COBRA



Lengths - Measured Horizontally	Heights - Measured from Ground
---------------------------------	--------------------------------

#1 Corner of front bumper to front of hood _____	HA	Height at "A" _____
#2 Front of hood to midpoint of front wheel _____	HB	Height at "B" _____
#3 Midpoint of front wheel to point "D" _____	HC	Height at "C" _____
#4 Point "D" to base of windshield _____	HD	Height at "D" _____
#5 Base of windshield to top of windshield _____	HE	Height at "E" _____
#6 Top of windshield to rear edge of wind wings _____	HF	Height at "F" _____
#7 End of wind wings to roll bar _____	HG	Height at "G" _____
#8 Top of roll bar to base of roll bar support _____	HH	Height at "H" _____
#9 Roll bar support to point "J" _____	HI	Height at "I" _____
#10 Midpoint of trunk "J" to end of trunk _____	HJ	Height at "J" _____
#11 End of trunk to end of bumper or nerf bar _____	HK	Height at "K" _____
Total _____	HL	Height at "L" _____
#12 Overall length at corner of bumpers _____	HM	Height at "M" _____

If you have measured correctly, the sum of #1 through #11 should equal #12.

### Widths, Measured Side to Side at Points Shown

WA Width across front of car at point "A" _____	WG	Width across wind wings _____
WB Width across nose of hood at point "B" _____	WH	Width across top of roll bar _____
WC Width across hood at point "C" _____	WI	Width across trunk at point "I" _____
WD Width across hood at point "D" _____	WJ	Width across trunk at point "J" _____
WE Width across hood at base of windshield _____	WK	Width across rear of trunk _____
WF Width across top of windshield _____	WL	Width of car at rear _____

### Vehicle Information

A photo of the vehicle will help us make the pattern. The photo will be returned if requested.

YEAR _____	Name _____
MAKE _____	Daytime phone _____
MODEL _____	Email _____
Date of Order _____	