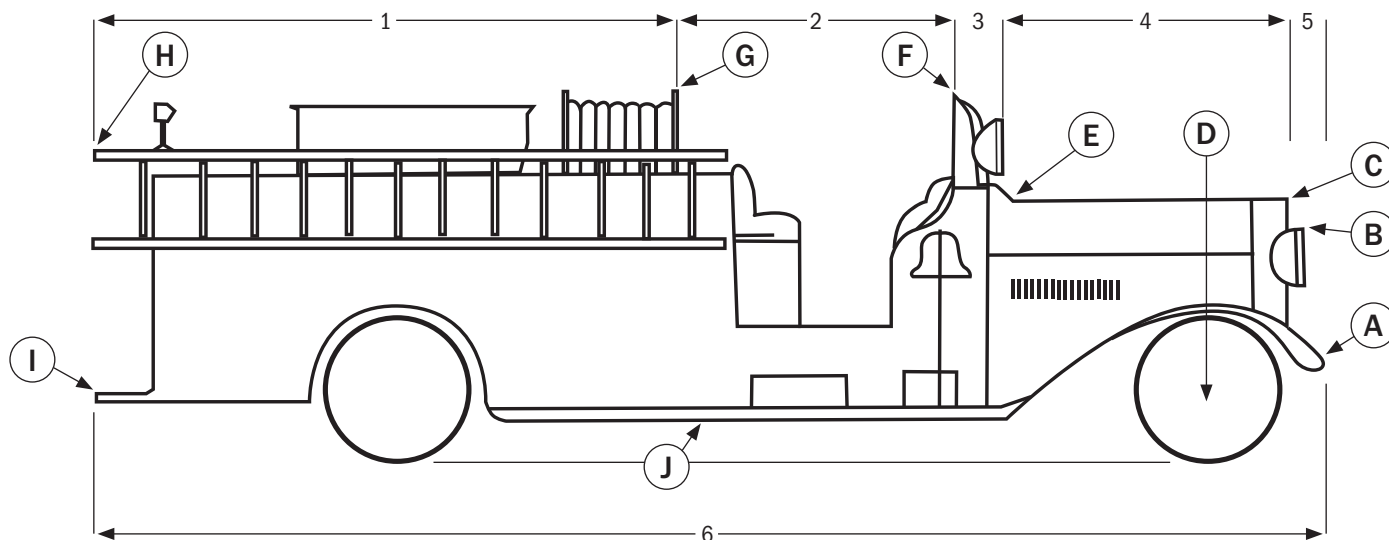


DIMENSION CHART - CLASSIC FIRE TRUCK



Lengths - Measured Horizontally

- #1 Rear of truck to front of hose reel _____
- #2 Front of hose reel to top of windshield _____
- #3 Top of windshield to base of windshield _____
- #4 Base of windshield to front of hood _____
- #5 Front of hood to front of truck (bumper or fender) _____
- #6 Overall length front to rear _____

If you have measured correctly, #1 through #5 should be the same as #6.

Heights - Measured from Ground

- HA Height at front of truck _____
- HB Height at top of headlights _____
- HC Height at top of hood _____
- HD Height at top of fender _____
- HE Height at base of windshield _____
- HF Height at top of windshield _____
- HG Height at front of hose reel _____
- HH Height at highest point in rear _____
- HI Height at top of rear platform _____
- HJ Road clearance _____

Widths, Measured Side to Side at Points Shown

- | | |
|---|---|
| WA Width of truck at front (bumper or fender) _____ | WF Width across top of windshield _____ |
| WB Width across headlights (side to side) _____ | WG Width across top at point "G" _____ |
| WC Width across top of hood _____ | WH Width across top at point "H" _____ |
| WD Width at top of front fenders _____ | WI Width across rear platform _____ |
| WE Width across base of windshield _____ | |

Vehicle Information

A photo of the vehicle will help us make the pattern. The photo will be returned if requested.

YEAR _____
 MAKE _____
 MODEL _____
 Date of Order _____

Name _____
 Daytime phone _____
 Email _____



Auto Chic, a division of MPT Industries
 PO Box 6181 • West Caldwell, NJ 07007
 Phone: 800-351-0605 • E-mail: sales@autochic.com
www.autochic.com